

# Excalibur 5000

The ultimate vertical cutter for the professional picture framer

**KEENCUT**  
THE WORLD'S FINEST CUTTING MACHINES

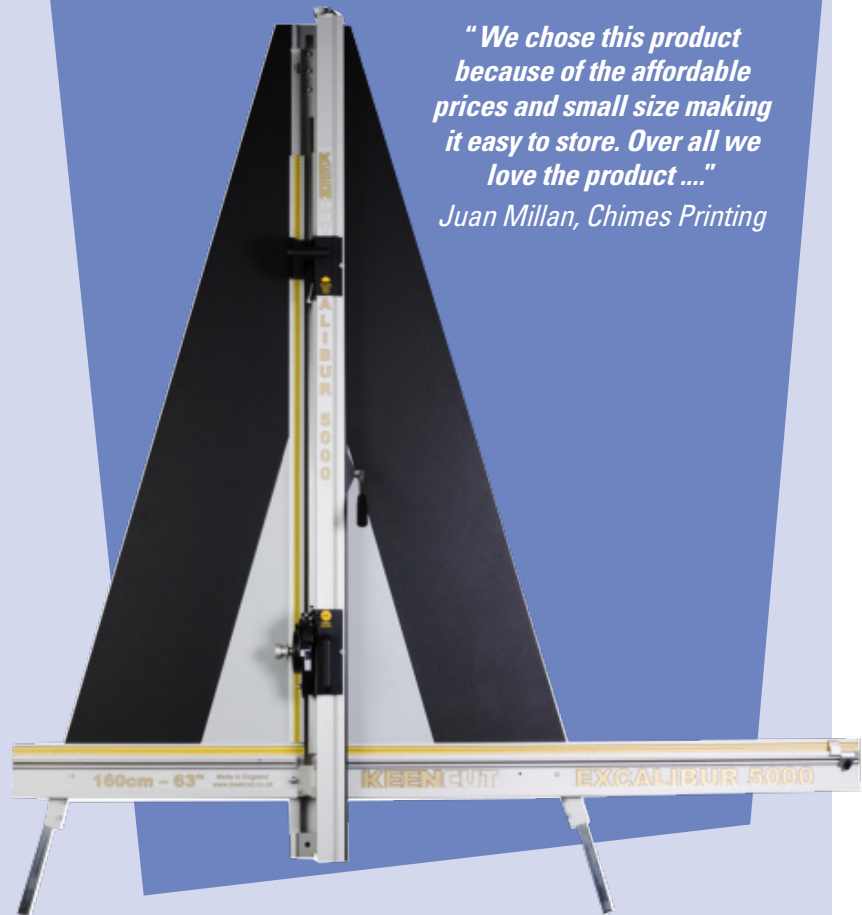


## 35 years of cutting excellence

### Consistent, accurate, efficient and hard-wearing cutter for mountboard, backing board, Plexiglas and glass

- Cuts all framing sheet materials easily
- Consistent perfect cuts
- Integral interchangeable tools
- One piece squaring arm
- Balanced weight to reduce user fatigue
- No dust or debris
- Robust aluminium construction to withstand long term use
- Quick payback through reduced waste and cutting time
- Safety by design
- Space saving
- Manufactured with premium quality materials
- Guaranteed for 5 years

Available in 2 sizes 122cm and 160cm



### Perfect for cutting ...

#### Mountboard

MDF

Glass

Plexiglas (cast acrylic)

Foam centred board

#### Will also cut ...

- PVC foam board
- Corrugated plastic / cardboard



**KEENCUT**

Baird Road  
Willowbrook Industrial Estate  
Corby, Northants, England  
NN17 5ZA, United Kingdom

Tel: +44 (0)1536 263158  
sales@keencut.co.uk  
www.keencut.co.uk

**MADE IN  
BRITAIN**

www.keencut.co.uk

## Integral interchangeable tools

### Multi tool head

- All blades and glass cutting wheels are permanently mounted for instant use.
- Uses off the shelf blades - no costly specialist blades required.
- Unique ratchet system for incremental cutting of thicker materials.



### Twin wheel cutter

- Cuts 3mm MDF in a single pass producing a clean edge.
- Noiseless, dust and debris free.
- Balance weight parks head at the top when not in use.



## Cuts all materials down the same line

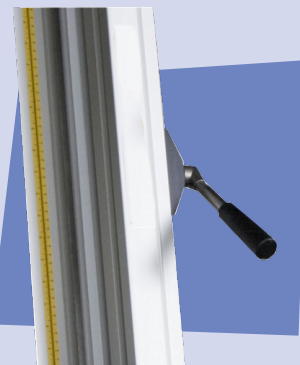
- No need to alter production stops for different materials.
- Simple operation.
- Reduces wastage.
- Reduces mistakes.



## Consistent perfect cuts

### Unique pressure sensitive clamp

- Powerful clamping holds tough materials precisely for a perfect cut.
- Touch-sensitive control clamps delicate or printed materials gently without damage.



### Perfect 90° cutting

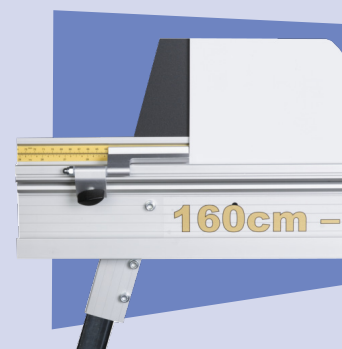
- Simple initial set up to 90° using squaring adjuster.
- Maintains permanent 90° accuracy over time.

### Achieve the same cut every time

- Quick set production stops for repeated use.

### Single piece squaring arm

- Robust, rigid structure for perfect alignment.
- Provides consistent accuracy.
- Reduces set up time.



## OPTIONAL EXTRA

### Free standing kit

Ideal for when wall space is limited or flexibility of machine placement is required. Bolts directly to the back of the machine to produce a rigid and stable free-standing unit.



## DIMENSIONS

	EXC5122	EXC5160
Cut Length	122cm (48")	160cm (63")
A	208cm (82")	244cm (96")
B	213cm (84")	213cm (84")
Wall Mounted - Standard - C	30-40cm (12-16")	30-40cm (12-16")
Free Standing - Optional - C	80-90cm (32-36")	80-90cm (32-36")
Packed Weight	56kg (123lbs)	67kg (147lbs)
Packed Dimensions cm (")	226x38x30cm (89x15x12")	231x40x30cm (91x16x12")

