

# Excalibur 3S



**KEENCUT**  
THE WORLD'S FINEST CUTTING MACHINES

The perfect cutter for tough sheet materials

**Consistent, accurate and efficient cutter for tough rigid boards for the cost conscious, regular user.**

- Cuts heavy-duty materials easily
- Consistent perfect cuts
- Precision engineered for accuracy
- Includes three tools as standard
- No dust, debris or static build up
- Quick payback through reduced waste and cutting time
- Safety by design
- Simple intuitive operation
- Manufactured with premium quality materials
- Guaranteed for 5 years

Available in one size to cut materials up to 160cm (63")

## Perfect for cutting ...

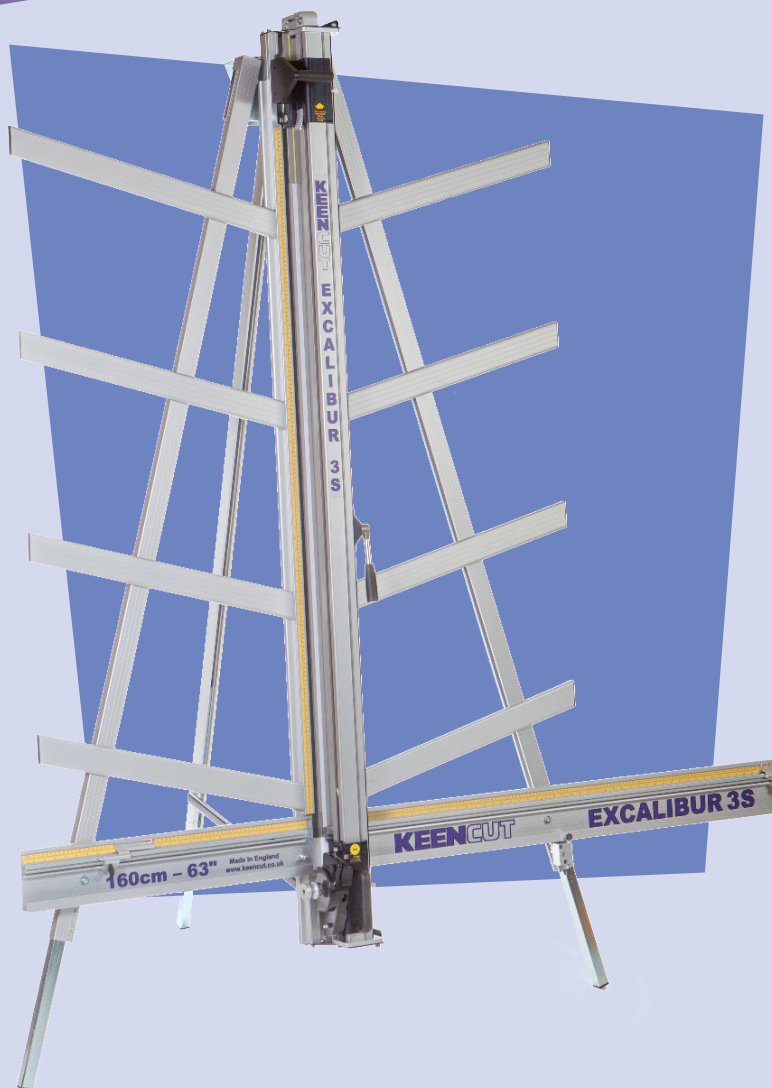
### Semi-rigid materials

- PVC foam board up to 13mm
- Corrugated/fluted plastic (Correx) up to 13mm
- Foam centred board up to 13 mm
- Most other semi-rigid plastic materials
- Magnetic sheet up to 4mm

### Rigid materials

- Aluminium composite (Dibond) up to 3mm
- MDF up to 3mm
- Cast acrylic or Plexiglas scoring up to 3mm

If your material is not in the list above we offer a free test cut service - for details please email [sales@keencut.co.uk](mailto:sales@keencut.co.uk)



**KEENCUT**

Baird Road  
Willowbrook Industrial Estate  
Corby, Northants, England  
NN17 5ZA, United Kingdom

Tel: +44 (0)1536 263158  
[sales@keencut.co.uk](mailto:sales@keencut.co.uk)  
[www.keencut.co.uk](http://www.keencut.co.uk)



[www.keencut.co.uk](http://www.keencut.co.uk)

## Cost-effective solution

### Double tool head

- Cutting blade and scoring blade permanently mounted for instant use.
- Uses off-the-shelf-blades - no costly specialist blades required.



## Cut heavy-duty materials

### Twin wheel cutter for tougher materials including Dibond and MDF

- Cuts 3mm Dibond or 3mm MDF in a single pass producing a clean, safe edge.
- Noiseless and dust-free.



## Consistent perfect cuts

### Unique pressure sensitive clamp

- Powerful clamping holds tough materials precisely for a perfect cut.
- Touch-sensitive control clamps delicate or printed materials gently without damage.

### Perfect alignment - no fuss

- Keencut's sightline strip gives total accuracy with a single cut line.
- No set-up. No adjustment. No unpredictable, expensive lasers.



## Safety by design

- Automatic blade disengagement.
- Blades securely mounted with a safety lock.
- Counterbalanced cutter head.



## Simple operation

**Telescopic legs** for height adjustment to reduce user fatigue.

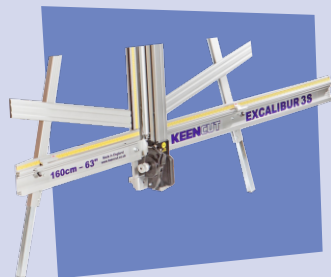
**Quick set production stops** to achieve the same cut every time.

**Cutting tools** permanently fitted for quick engagement.



## Engineered for accuracy

- Precision system for fast 90-degree squaring on initial set-up.
- One-piece horizontal squaring arm to provide perfect alignment and rigidity either side of the cut line.



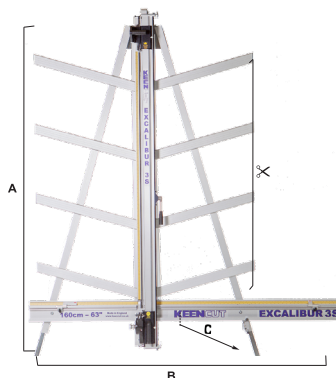
## OPTIONAL EXTRAS AND ACCESSORIES

### Free standing kit

Ideal for when wall space is limited or flexibility of machine placement is required. Bolts directly to the back of the machine to produce a rigid and stable free-standing unit



## DIMENSIONS



	EX3S165
Cut Length	160cm (63")
A	244cm (96")
B	213cm (84")
Wall Mounted - Standard - C	30-40cm (12-36")
Free Standing - Optional - C	80-90cm (32-36")
Packed Weight	67kg (147lbs)
Packed Dimensions	1 Box Only: 231x40x30cm (91x16x12")